

- STYLE CODE (CHECK ONE) **CELL SIDE MATERIAL:**
- T **GASKET SEAL**
 - X UPSTREAM GEL SEAL
 - W REVERSE GEL SEAL

- FILTER MEDIA AND CAPACITY:**
- 1 99.97%
 - 3 99.99%
 - 5 99.999%
 - 7 95 DOP

- STYLE CODE (CHECK ONE) **SEALANT MATERIAL:**
- 2 POLYURETHANE SEALANT STANDARD

- GASKET SEAL MODEL:**
- NEOPRENE DOWNSTREAM (STANDARD)
 - NEOPRENE UPSTREAM
 - NEOPRENE UPSTREAM AND DOWNSTREAM
 - NO GASKET

- FACEGUARD LOCATION:**
- DOWNSTREAM
 - UPSTREAM
 - UPSTREAM AND DOWNSTREAM
 - NONE

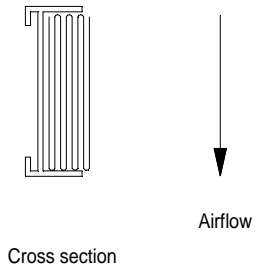
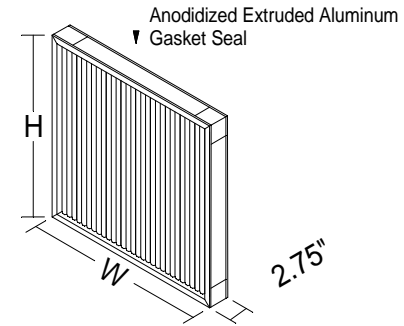
FACEGUARD IS PAINTED W/ WHITE POWDER COAT

Customer Notes / Additional Requirements

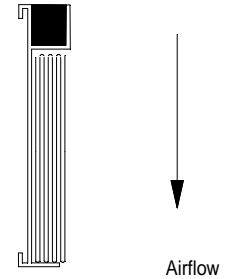
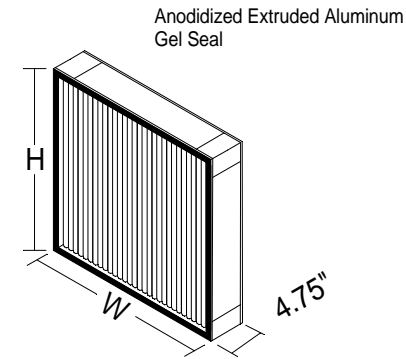


Koch Filter Corporation
 Filtration Products Crafted with Pride
 P.O. Box 3186 - Louisville KY 40201
 625 W. Hill Street - Louisville KY 40208
 Phone: (502) 634-4796 FAX: (502) 637-2280

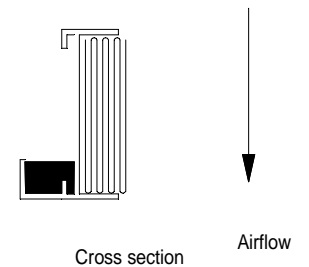
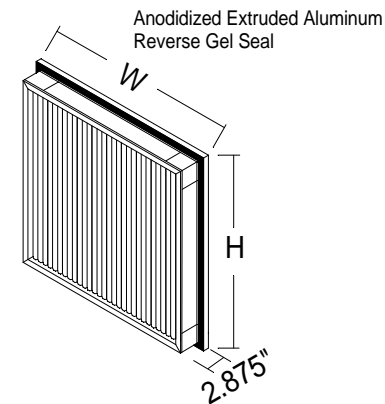
**BIOMAX CS FILTER
 ALUMINUM EXTRUSION
 SUBMITTAL**



Height x Width
 ALL DIMENSIONS ARE ACTUAL SIZE



Height x Width
 ALL DIMENSIONS ARE ACTUAL SIZE



Height* x Width*
 * HEADER
 * ALL DIMENSIONS ARE ACTUAL SIZE