

- STYLE CODE (CHECK ONE)
- G **NFR PARTICLE BOARD (STANDARD)**
- O 24 GA Galvanized - 4 pc frame (NHM)
- S 18 GA Stainless Steel - 4 pc frame (NHM)
- Z .050 Aluminum - 4 pc frame (NHM)
- FILTER MEDIA AND CAPACITY:**
- 1 99.97% STANDARD CAPACITY
- 3 99.99% STANDARD CAPACITY
- 5 99.999% STANDARD CAPACITY
- 7 95 DOP
- SEALANT MATERIAL:**
- 1 POLYURETHANE FOAM (SBW ONLY)
- 2 SOLID POLYURETHANE (ALL OTHERS)
- 4 HOTMELT ADHESIVE (95 DOP, NHM, SH, DH ONLY)

- GASKET MATERIAL:**
- DOVETAIL NEOPRENE (STANDARD) - 1/4 INCH**
- NONE

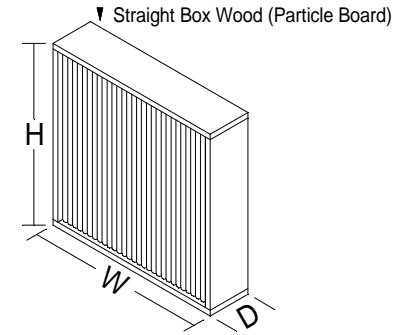
- GASKET LOCATION:**
- DOWNSTREAM (STANDARD ON ALL MODELS)**
- UPSTREAM
- UPSTREAM AND DOWNSTREAM
- SIDE ACCESS
- NONE

- FACEGUARD LOCATION:**
- DOWNSTREAM
- UPSTREAM
- UPSTREAM AND DOWNSTREAM
- NONE

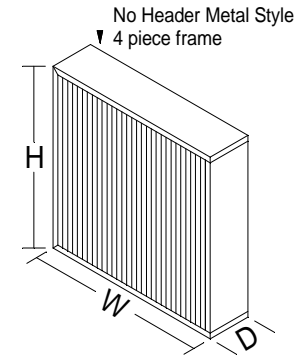
- ADDITIONAL FACTORY TESTING REQUIREMENTS:**
- LEAK SCAN TESTED 99.97% HEPA MODEL
- \*\* NO EFFICIENCY TESTING REQUIRED - MEDIA MANUFACTURERS RATING ACCEPTABLE
- CERTIFIED TEST LABEL AT \_\_\_\_ EFFICIENCY

\*\* Note: Testable HEPA & ULPA grade filters are tested for 0.3 micron EFFICIENCY at rated airflow unless NO EFFICIENCY TESTING is specified (Option 2, above)

\*\* Note: 99.99 & above are always leak scanned.



Height Width Depth  
ALL DIMENSIONS ARE ACTUAL SIZE



Height Width Depth  
ALL DIMENSIONS ARE ACTUAL SIZE

Customer Notes / Additional Requirements



**Koch Filter Corporation**  
Filtration Products Crafted with Pride  
P.O. Box 3186 - Louisville KY 40201  
625 W. Hill Street - Louisville KY 40208  
Phone: (502) 634-4796 FAX: (502) 637-2280

**BIOMAX CS FILTER  
SUBMITTAL**