

CELL SIDE MATERIAL:

- SINGLE HEADER 26 GA GALVANIZED STEEL
- DOUBLE HEADER 26 GA GALVANIZED STEEL
- NO HEADER - 26 GA GALVANIZED STEEL
- STRAIGHT BOX WOOD
- FW PARTICLE BOARD

FILTER MEDIA AND CAPACITY:

- 95% ASHRAE STANDARD CAPACITY
- 95% ASHRAE HIGH CAPACITY
- 85% ASHRAE STANDARD CAPACITY
- 85% ASHRAE HIGH CAPACITY
- 65% ASHRAE STANDARD CAPACITY
- 65% ASHRAE HIGH CAPACITY
- 95% DOP
- 95% DOP HC

SEPARATORS:

- ALUMINUM (STANDARD)
- PVC COATED ALUMINUM

GASKET MATERIAL:

- NEOPRENE - 1/4 INCH
- FOAM - 3/16 INCH
- NONE

GASKET LOCATION:

- DOWNSTREAM
- UPSTREAM
- UPSTREAM AND DOWNSTREAM
- SIDE ACCESS - BOTH SIDES (FOAM GASKET ONLY)
- OTHER _____

STANDARD DEPTHS: 5-7/8" AND 11-1/2"

FACEGUARD LOCATION:

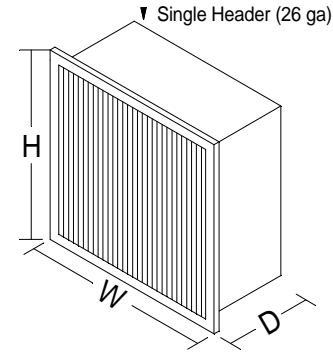
- DOWNSTREAM
- UPSTREAM
- UPSTREAM AND DOWNSTREAM
- NONE

CLIP HOLE LOCATION:

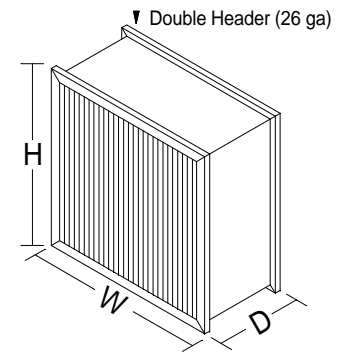
- 5/3 & 3/5 (STANDARD ON NHM MODEL)
- 4/4 & 4/4
- CENTERED
- NONE

HEADER THICKNESS:

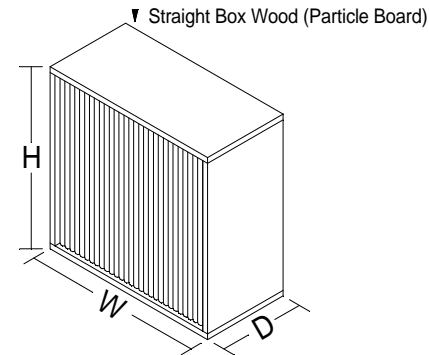
- 13/16" (STANDARD)
- 1-1/8"



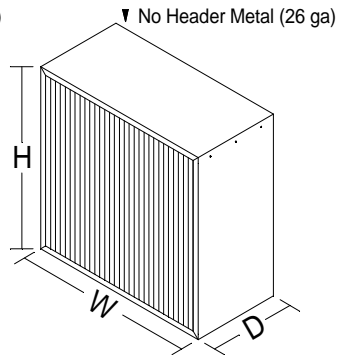
Height Width Depth
ALL DIMENSIONS ARE ACTUAL SIZE



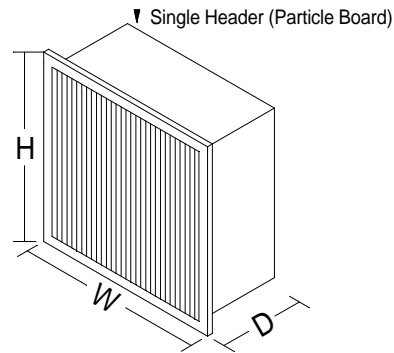
Height* Width* Depth
* of FLANGE
ALL DIMENSIONS ARE ACTUAL SIZE



Height Width Depth
ALL DIMENSIONS ARE ACTUAL SIZE



Height Width Depth
ALL DIMENSIONS ARE ACTUAL SIZE



Height* Width* Depth
* HEADER
ALL DIMENSIONS ARE ACTUAL SIZE

Customer Notes / Additional Requirements



Koch Filter Corporation

Filtration Products Crafted with Pride
P.O. Box 3186 - Louisville KY 40201
625 W. Hill Street - Louisville KY 40208
Phone: (502) 634-4796 FAX: (502) 637-2280

**MULTI-CELL FILTER
SUBMITTAL**