

FRAME:

- BEVERAGE BOARD
- NO HEADER METAL - 26 GA GALVANIZED STEEL
- SINGLE HEADER 26 GA GALVANIZED STEEL

EFFICIENCY:

- 65% ASHRAE
- 85% ASHRAE
- 95% ASHRAE
- 98% ASHRAE
- 95% DOP
- 99.97% DOP

GASKET MATERIAL:

- NEOPRENE - 1/4 INCH
- FOAM - 3/16 INCH
- OTHER: _____

GASKET LOCATION:

- DOWNSTREAM
- UPSTREAM
- UPSTREAM AND DOWNSTREAM
- SIDE ACCESS - BOTH SIDES (FOAM GASKET ONLY)
- OTHER: _____

FACEGUARD: (METAL FILTERS ONLY)

- UPSTREAM
- DOWNSTREAM
- UPSTREAM AND DOWNSTREAM
- NONE

** STANDARD DEPTHS: 1-3/4" AND 3-3/4"

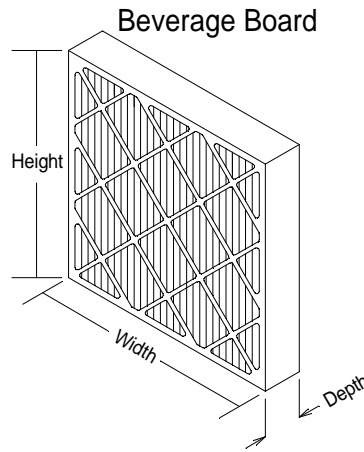
Customer Notes / Additional Requirements



Koch Filter Corporation

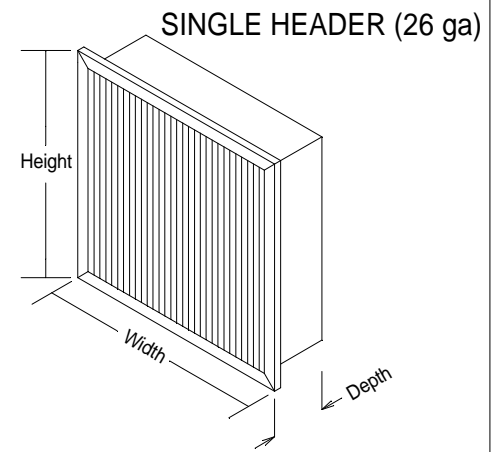
Filtration Products Crafted with Pride
P.O. Box 3186 - Louisville KY 40201
625 W. Hill Street - Louisville KY 40208
Phone: (502) 634-4796 FAX: (502) 637-2280

MICROMAX FILTER SUBMITTAL



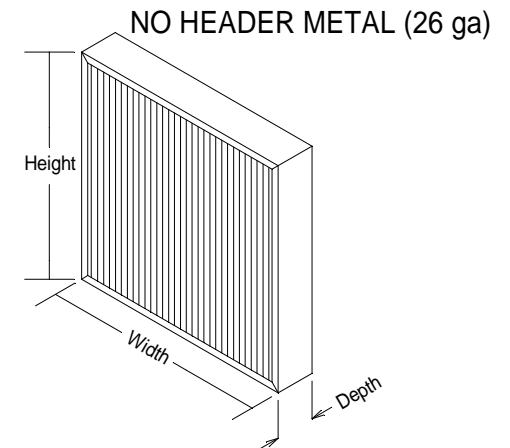
_____ X _____ X _____
Height Width Depth

All Dimensions are Actual Size



_____ X _____ X _____
Height* Width* Depth

* Header
All Dimensions are Actual Size



_____ X _____ X _____
Height Width Depth

All Dimensions are Actual Size