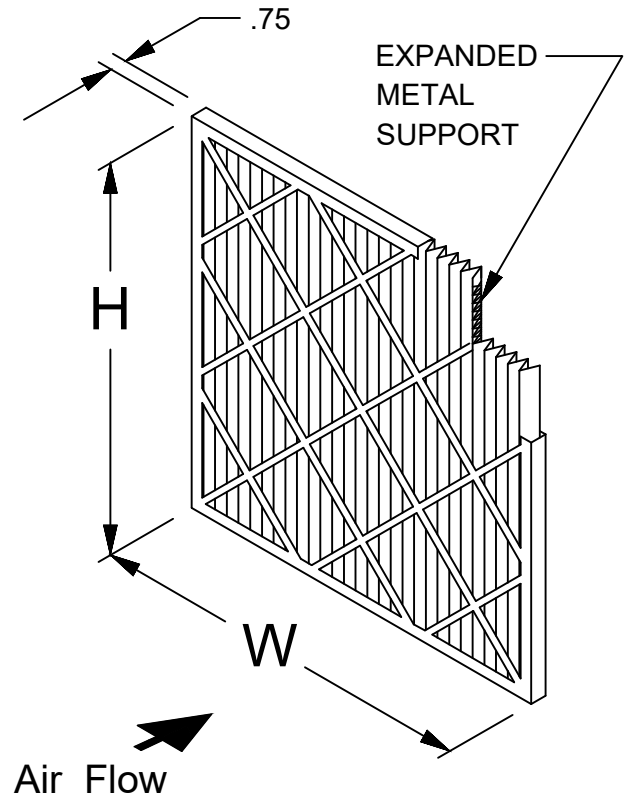


| Nominal Size W x H x D (in) | Actual Size W x H x D (in) | Part Number | Capacity (CFM) | Resistance (in W.G.) | Media Area (sq ft) | Carton Qty | Weight per Carton (lbs) |
|-----------------------------------|----------------------------------|-------------|-------------------|-------------------------|-----------------------|------------|----------------------------|
| 10 x 10 x 1 | 9-1/2 x 9-1/2 x 3/4 | 102-121-020 | 200 | 0.12 | 1.5 | 12 | 10 |
| 10 x 20 x 1 | 9-1/2 x 19-1/2 x 3/4 | 102-390-001 | 425 | 0.12 | 2.9 | 12 | 7 |
| 12 x 12 x 1 | 11-1/2 x 11-1/2 x 3/4 | 102-390-051 | 300 | 0.12 | 2.2 | 12 | 10 |
| 12 x 18 x 1 | 11-1/2 x 17-1/2 x 3/4 | 102-121-001 | 450 | 0.12 | 3.3 | 12 | 11 |
| 12 x 20 x 1 | 11-1/2 x 19-1/2 x 3/4 | 102-121-002 | 500 | 0.12 | 3.6 | 12 | 12 |
| 12 x 24 x 1 | 11-3/8 x 23-3/8 x 3/4 | 102-390-002 | 600 | 0.12 | 4.4 | 12 | 9 |
| 12 x 25 x 1 | 11-1/2 x 24-1/2 x 3/4 | 102-121-003 | 625 | 0.12 | 4.5 | 12 | 14 |
| 14 x 20 x 1 | 13-1/2 x 19-1/2 x 3/4 | 102-390-003 | 575 | 0.12 | 4.1 | 12 | 11 |
| 14 x 24 x 1 | 13-1/2 x 23-1/2 x 3/4 | 102-121-005 | 700 | 0.12 | 4.9 | 12 | 15 |
| 14 x 25 x 1 | 13-1/2 x 24-1/2 x 3/4 | 102-390-004 | 725 | 0.12 | 5.1 | 12 | 13 |
| 14 x 30 x 1 | 13-1/2 x 29-1/2 x 3/4 | 102-121-039 | 875 | 0.12 | 6.3 | 12 | 15 |
| 15 x 20 x 1 | 14-1/2 x 19-1/2 x 3/4 | 102-390-005 | 625 | 0.12 | 4.6 | 12 | 11 |
| 15 x 25 x 1 | 14-1/2 x 24-1/2 x 3/4 | 102-121-006 | 775 | 0.12 | 5.7 | 12 | 16 |
| 16 x 16 x 1 | 15-1/2 x 15-1/2 x 3/4 | 102-121-007 | 550 | 0.12 | 3.8 | 12 | 13 |
| 16 x 20 x 1 | 15-1/2 x 19-1/2 x 3/4 | 102-390-006 | 675 | 0.12 | 4.8 | 12 | 11 |
| 16 x 24 x 1 | 15-1/2 x 23-1/2 x 3/4 | 102-121-008 | 800 | 0.12 | 5.8 | 12 | 14 |
| 16 x 25 x 1 | 15-1/2 x 24-1/2 x 3/4 | 102-390-007 | 850 | 0.12 | 6.0 | 12 | 12 |
| 16 x 30 x 1 | 15-1/2 x 29-1/2 x 3/4 | 102-121-018 | 1000 | 0.12 | 7.3 | 12 | 15 |
| 18 x 18 x 1 | 17-1/2 x 17-1/2 x 3/4 | 102-121-009 | 675 | 0.12 | 4.8 | 12 | 14 |
| 18 x 20 x 1 | 17-1/2 x 19-1/2 x 3/4 | 102-121-015 | 750 | 0.12 | 5.3 | 12 | 14 |
| 18 x 24 x 1 | 17-3/8 x 23-3/8 x 3/4 | 102-121-016 | 900 | 0.12 | 6.4 | 12 | 14 |
| 18 x 25 x 1 | 17-1/2 x 24-1/2 x 3/4 | 102-121-011 | 950 | 0.12 | 6.6 | 12 | 14 |
| 18 x 30 x 1 | 17-1/2 x 29-1/2 x 3/4 | 102-121-044 | 1125 | 0.12 | 8.2 | 12 | 16 |
| 20 x 20 x 1 | 19-1/2 x 19-1/2 x 3/4 | 102-390-008 | 850 | 0.12 | 6.0 | 12 | 12 |
| 20 x 22 x 1 | 19-3/4 x 21-1/2 x 3/4 | 102-121-049 | 900 | 0.12 | 6.6 | 12 | 14 |
| 20 x 24 x 1 | 19-3/8 x 23-3/8 x 3/4 | 102-121-017 | 1000 | 0.12 | 7.2 | 12 | 14 |
| 20 x 25 x 1 | 19-1/2 x 24-1/2 x 3/4 | 102-390-009 | 1000 | 0.12 | 7.5 | 12 | 13 |
| 20 x 30 x 1 | 19-1/2 x 29-1/2 x 3/4 | 102-121-012 | 1250 | 0.12 | 9.1 | 12 | 16 |
| 24 x 24 x 1 | 23-3/8 x 23-3/8 x 3/4 | 102-390-010 | 1200 | 0.12 | 8.7 | 12 | 14 |
| 24 x 30 x 1 | 23-1/2 x 29-1/2 x 3/4 | 102-121-013 | 1500 | 0.12 | 11.0 | 12 | 16 |
| 25 x 25 x 1 | 24-1/2 x 24-1/2 x 3/4 | 102-121-014 | 1300 | 0.12 | 9.6 | 12 | 16 |



Standard Construction:

1. New White 100% Synthetic Media
2. Rust Resistant Expanded Metal Support on Downstream Side
3. Moisture Resistant Beverage Board Frame (24 point)
4. Double Wall Frame
5. 15 Pleats per Linear Ft.

Notes:

1. All Dimensions are in Inches Unless Otherwise Noted.
2. Drawing Not To Scale

Specifications:

1. Efficiency: MERV 10 (ASHRAE Standard 52.2-2017)
2. Final Resistance: 1.0" W.G.
3. Rated Velocity: 300 FPM
4. Classified per UL Standard 900
5. Max Operating Temp: 200 F (66C)
6. Tolerance: Height & Width - +/- 1/8"
7. Tolerance: Depth - +/- 1/16"

| | | | | |
|--|--|----------|----------|-----------|
| | Multi-Pleat XL10 1" High Capacity | REV | REVISION | BY / DATE |
| | | LTR | | |
| 8401 Air Commerce Drive - Louisville KY 40219 Phone: (502) 634-4796 FAX: (502) 637-2280 | Drawn By: Dave Miller Date: 23 August, 2022 | Revision | | |