

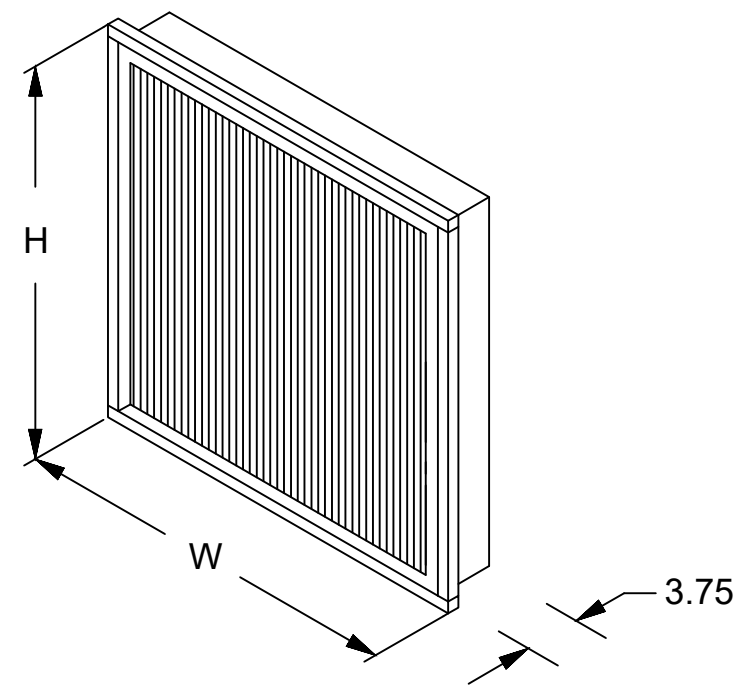
Nominal Size W x H x D (in)	Actual Size W x H x D (in)	Part Number	Capacity (CFM)	Resistance (in W.G.)	Media Area (sq ft)	Carton Qty	Weight per Carton (lbs)
24 x 24 x 4	23-3/8 x 23-3/8 x 3-3/4	120-625-2424	2000	0.40	58	3	18
25 x 20 x 4	24-3/8 x 19-3/8 x 3-3/4	120-625-2520	1750	0.40	48	3	16
20 x 24 x 4	19-3/8 x 23-3/8 x 3-3/4	120-625-2024	1675	0.40	49	3	15
20 x 20 x 4	19-3/8 x 19-3/8 x 3-3/4	120-625-2020	1400	0.40	38	3	13
18 x 20 x 4	17-3/8 x 19-3/8 x 3-3/4	120-625-1820	1250	0.40	35	3	12
25 x 16 x 4	24-3/8 x 15-3/8 x 3-3/4	120-625-2516	1400	0.40	39	3	13
16 x 24 x 4	15-3/8 x 23-3/8 x 3-3/4	120-625-1624	1350	0.40	38	3	12
16 x 20 x 4	15-3/8 x 19-3/8 x 3-3/4	120-625-1620	1125	0.40	31	3	10
12 x 24 x 4	11-3/8 x 23-3/8 x 3-3/4	120-625-1224	1000	0.40	29	6	10

**Standard Construction:**

1. Synthetic Media
2. Hotmelt Adhesive Media Separators
3. HIPS Frame

**Specifications:**

1. Efficiency: Per ASHRAE 52.2-2017 standard
2. Final Resistance: 1.5" W.G.
3. Rated Velocity: 500 FPM
4. Classified per UL Standard 900
5. Maximum Operating Temperature: 150 degrees F (66 C)
6. Tolerance: Height & Width - +/- 1/8"
7. Tolerance: Depth - +/- 1/16"



**Micromax PL4S  
MERV 14 Header**

REV LTR	REVISION	BY / DATE

8401 Air Commerce Drive - Louisville KY 40219  
Phone: (502) 634-4796 FAX: (502) 637-2280

Drawn By: Brent Chamberlain  
Date: July 7, 2022

Revision  
A